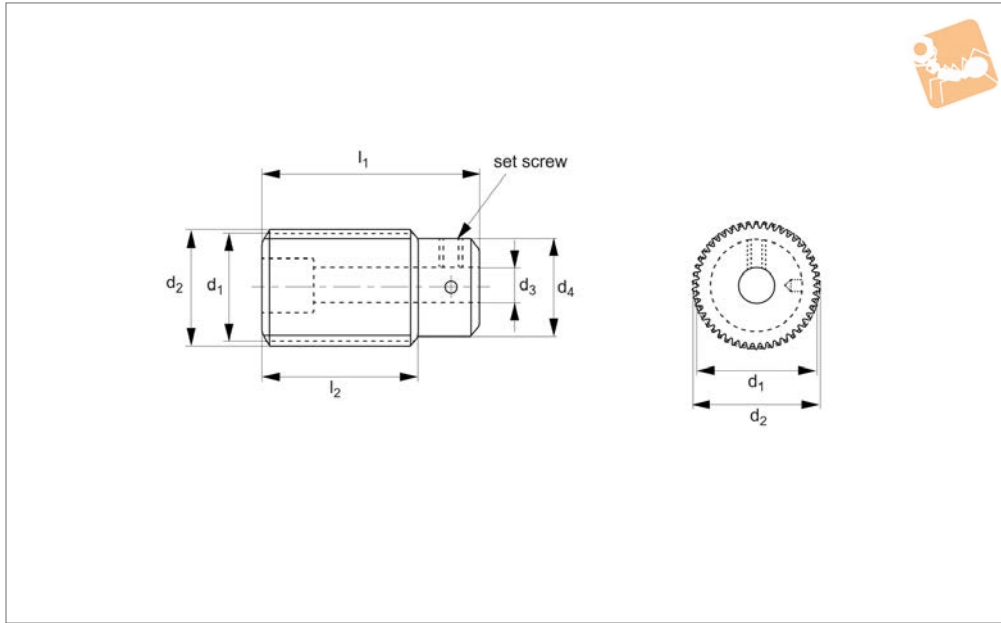




1,0 Module Precision Worms

stainless steel

Other Precision Gears



R2136

OTHER PRECISION GEARS

Material

Stainless steel (DIN 1,4305).

Technical Notes

Quality class DIN 7/AGMA 10.
Right hand.

Order No.	Ø B	Starts	Lead	Lead angle	Pressure angle
R2136.07S	7	Single	3.142	4° 45'	14½°
R2136.07D	7	Double	6.283	9° 27'	20°
R2136.07F	7	Four	12.566	18° 26'	25°
R2136.08S	8	Single	3.142	4° 45'	14½°
R2136.08D	8	Double	6.283	9° 27'	20°
R2136.08F	8	Four	12.566	18° 26'	25°