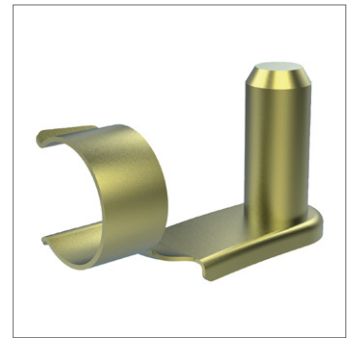
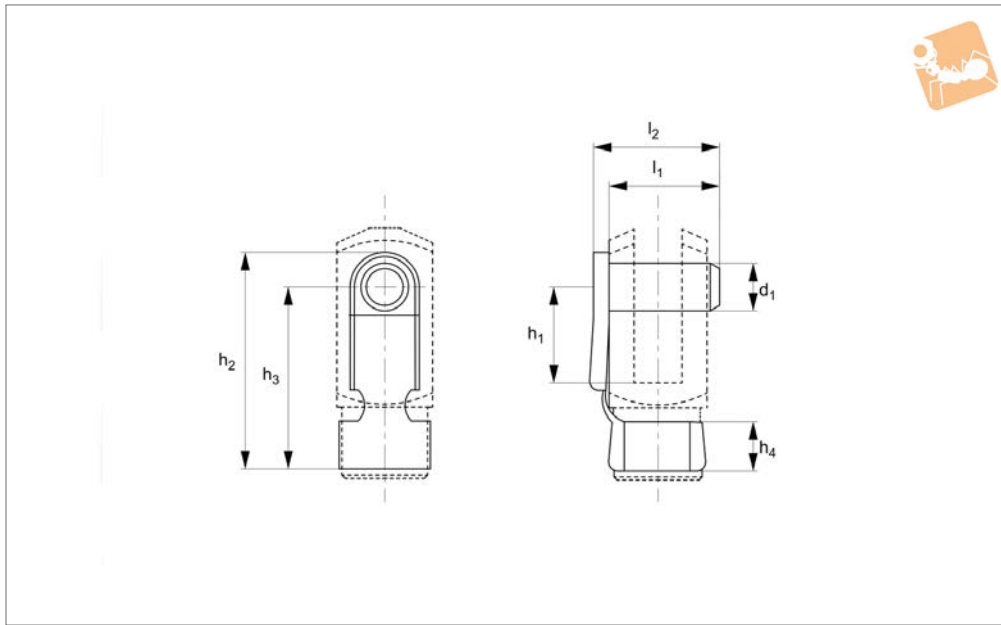




# Clevis Retention Clips - Imperial

(ESI + ESIL), for use with clevis joints



**R3436.i**

CLEVIS JOINTS & CLIPS

### Material

Yellow zinc-plated steel

All measurements are in inches.

### Tips

Equivalent to ESI and ESIL Springfix clips

### Technical Notes

Yellow zinc is not RoHS Compliant.

Order No.	d	h <sub>1</sub>	h <sub>2</sub>	h <sub>3</sub>	h <sub>4</sub>	l <sub>1</sub>	l <sub>2</sub>	Weight g
R3436.I187	0.1875	0.394	0.90	0.75	0.22	0.43	0.49	3
R3436.IL187	0.1855	0.787	1.30	1.14	0.22	0.43	0.49	4
R3436.I250	0.2500	0.472	1.10	0.90	0.25	0.56	0.64	5
R3436.IL250	0.2470	0.945	1.57	1.38	0.25	0.56	0.64	6
R3436.I312	0.3125	0.630	1.43	1.18	0.31	0.70	0.79	11
R3436.IL312	0.3095	1.260	2.05	1.81	0.31	0.70	0.79	12
R3436.I375	0.3750	0.787	1.77	1.50	0.39	0.83	0.95	17
R3436.IL375	0.3720	1.575	2.56	2.28	0.39	0.83	0.95	18
R3436.I500	0.5000	1.102	2.44	2.05	0.55	1.09	1.21	40
R3436.IL500	0.4970	1.205	3.58	3.23	0.55	1.09	1.21	43