

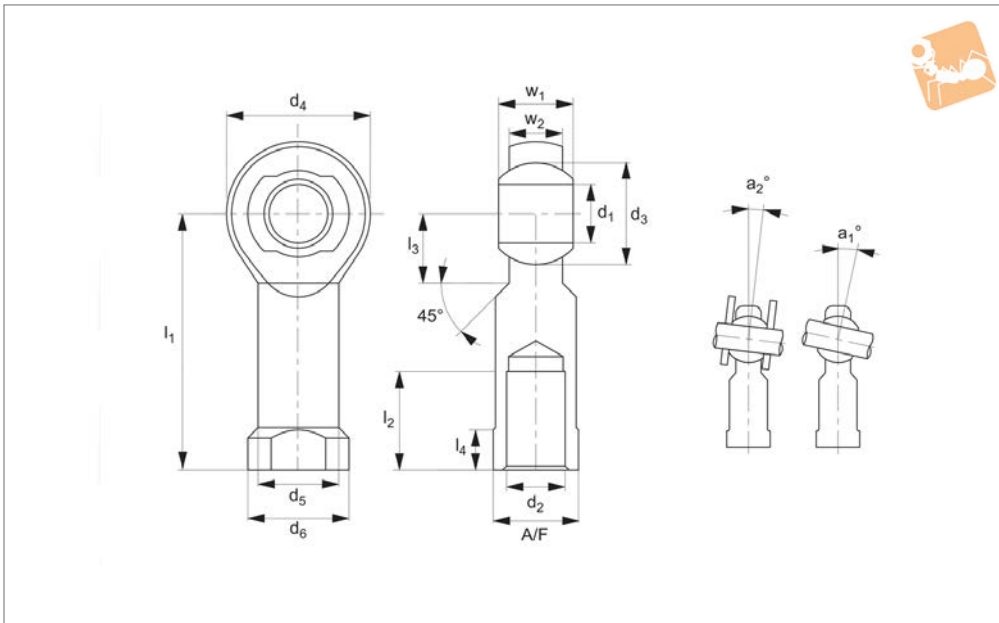


# Imperial Heavy Duty Rod End Female

## Rod Ends



**R3551.i**



**Material**

Rod end housing - forged steel, tempered, surface galvanized.

Joint ball - ball bearing steel, hardened and ground, polished and chromium

plated.

Race - nylon/teflon/glass compound.

**Technical Notes**

Female thread maintenance free adapter

sizes according to DIN ISO 12240-4, series K, thread according to Cetop RP 103P.

**Tips**

Standard thread is right hand thread.

Order No.	Thread hand	d <sub>1</sub>	l <sub>1</sub>	d <sub>2</sub>	d <sub>3</sub>	d <sub>4</sub>	d <sub>5</sub>	d <sub>6</sub>	Weight g
R3551.I250	Right	0.250	1.338	1/4-28	0.516	0.750	0.374	0.469	27
R3551.I375	Right	0.375	1.641	3/8-24	0.719	1.000	0.567	0.689	59
R3551.I500	Right	0.500	2.145	1/2-20	0.876	1.311	0.748	0.874	127
R3551.I625	Right	0.625	2.539	5/8-18	1.125	1.653	0.866	1.063	231
R3551.I750	Right	0.625	2.905	3/4-16	1.249	1.750	1.000	1.126	229
R3551.I1000	Right	1.000	3.720	1-12	1.688	2.362	1.319	1.654	663
R3551.I1001	Right	1.000	3.720	1-14	1.688	2.362	1.319	1.654	663
R3551.IL250	Left	0.250	1.338	1/4-28	0.516	0.750	0.374	0.469	27
R3551.IL375	Left	0.375	1.641	3/8-24	0.719	1.000	0.567	0.689	59
R3551.IL500	Left	0.500	2.145	1/2-20	0.876	1.311	0.748	0.874	127
R3551.IL625	Left	0.625	2.539	5/8-18	1.125	1.653	0.866	1.063	231
R3551.IL750	Left	0.625	2.905	3/4-16	1.249	1.750	1.000	1.126	229
R3551.IL1000	Left	1.000	3.720	1-12	1.688	2.362	1.319	1.654	663
R3551.IL1001	Left	1.000	3.720	1-14	1.688	2.362	1.319	1.654	663

Order No.	l <sub>2</sub>	l <sub>3</sub>	l <sub>4</sub>	l <sub>5</sub>	w <sub>1</sub>	w <sub>2</sub>	A/F	a°	Dyn. load C kN max.	Static load C <sub>0</sub> kN max.
R3551.I250	0.716	0.385	0.185	1.713	0.374	0.283	0.381	17.5	4.3	12.5
R3551.I375	0.847	0.503	0.275	2.141	0.499	0.405	0.570	9.5	7.7	22.3
R3551.I500	1.161	0.649	0.279	2.801	0.624	0.472	0.757	13.0	14.7	42.9
R3551.I625	1.102	0.885	0.350	3.366	0.826	0.590	0.866	15.5	22.4	59.6
R3551.I750	1.718	0.854	0.311	3.780	0.874	0.688	1.007	11.0	24.9	66.2
R3551.I1000	1.653	1.200	0.511	4.901	1.220	0.866	1.417	15.5	45.4	118.6
R3551.I1001	1.653	1.200	0.511	4.901	1.220	0.866	1.417	15.5	45.4	118.6
R3551.IL250	0.716	0.385	0.185	1.713	0.374	0.283	0.381	17.5	4.3	12.5
R3551.IL375	0.847	0.503	0.275	2.141	0.499	0.405	0.570	9.5	7.7	22.3
R3551.IL500	1.161	0.649	0.279	2.801	0.624	0.472	0.757	13.0	14.7	42.9
R3551.IL625	1.102	0.885	0.350	3.366	0.826	0.590	0.866	15.5	22.4	59.6
R3551.IL750	1.718	0.854	0.311	3.780	0.874	0.688	1.007	11.0	24.9	66.2
R3551.IL1000	1.653	1.200	0.511	4.901	1.220	0.866	1.417	15.5	45.4	118.6
R3551.IL1001	1.653	1.200	0.511	4.901	1.220	0.866	1.417	15.5	45.4	118.6