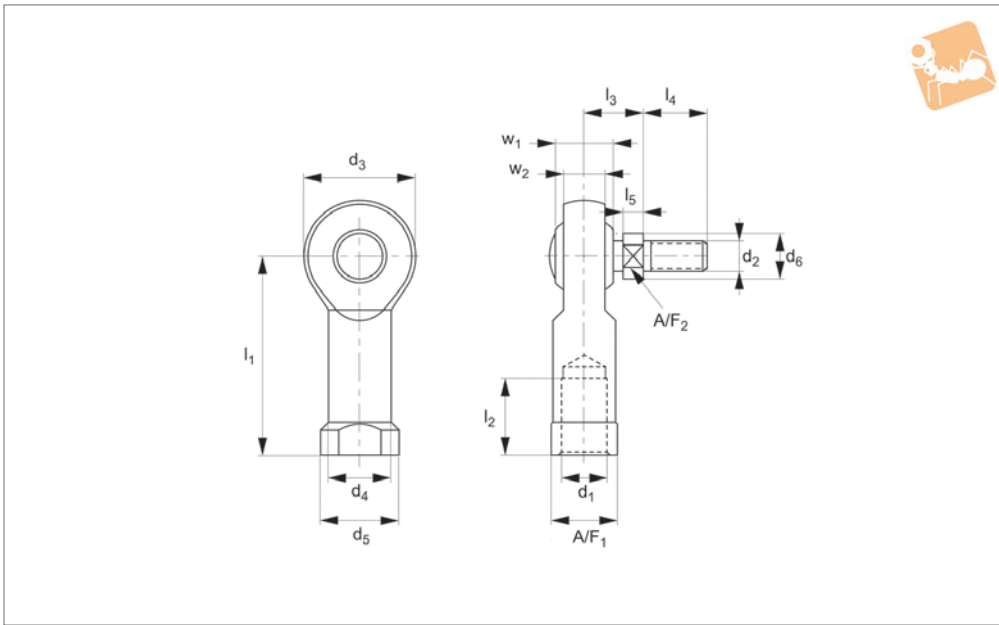




Imperial Female Rod End with Stud with Nylon bearing race



R3616.i



ROD ENDS

Material

Housing and Stud: Yellow zinc plated steel.
Ball: Zinc plated, surface hardened steel

forced nylon bearing race.
Female thread, Maintenance free, yellow zinc is not RoHS Compliant.

Rod end studs are all right hand threads.

Technical Notes

Features an injection molded, fibre rein-

Tips

Standard thread is Right hand thread.

Order No.	Thread hand	d ₁	d ₂	l ₁	w ₁	d ₃	d ₄
R3616.I190	Right	10-32	10-32	1.062	0.312	0.625	0.406
R3616.I250	Right	1/4-28	1/4-28	1.312	0.375	0.750	0.469
R3616.I313	Right	5/16-24	5/16-24	1.375	0.437	0.875	0.500
R3616.I375	Right	3/8-24	3/8-24	1.625	0.500	1.000	0.687
R3616.I500	Right	1/2-20	1/2-20	2.125	0.625	1.312	0.875
R3616.I625	Right	5/8-18	5/8-18	2.500	0.750	1.500	1.000
R3616.I750	Right	3/4-16	3/4-16	2.875	0.875	1.750	1.125
R3616.I190	Left	10-32	10-32	1.062	0.312	0.625	0.406
R3616.I250	Left	1/4-28	1/4-28	1.312	0.375	0.750	0.469
R3616.I313	Left	5/16-24	5/16-24	1.375	0.437	0.875	0.500
R3616.I375	Left	3/8-24	3/8-24	1.625	0.500	1.000	0.687
R3616.I500	Left	1/2-20	1/2-20	2.125	0.625	1.312	0.875

Order No.	d ₅	l ₂	l ₃	l ₄	l ₅	w ₂	A/F ₁	A/F ₂	α
R3616.I190	0.187	0.562	0.437	0.437	0.125	0.250	0.312	0.321	25
R3616.I250	0.304	0.750	0.469	0.562	0.125	0.281	0.375	0.375	25
R3616.I313	0.356	0.750	0.531	0.687	0.125	0.344	0.437	0.437	25
R3616.I375	0.424	0.937	0.644	0.906	0.187	0.406	0.562	0.500	25
R3616.I500	0.564	1.187	0.875	1.125	0.250	0.500	0.750	0.625	25
R3616.I625	0.622	1.500	1.000	1.125	0.375	0.562	0.875	0.750	25
R3616.I750	0.747	1.562	1.187	1.812	0.375	0.687	1.000	1.000	25
R3616.I190	0.187	0.562	0.437	0.437	0.125	0.250	0.312	0.321	25
R3616.I250	0.304	0.750	0.469	0.562	0.125	0.281	0.375	0.375	25
R3616.I313	0.356	0.750	0.531	0.687	0.125	0.344	0.437	0.437	25
R3616.I375	0.424	0.937	0.644	0.906	0.187	0.406	0.562	0.500	25
R3616.I500	0.564	1.187	0.875	1.125	0.250	0.500	0.750	0.625	25