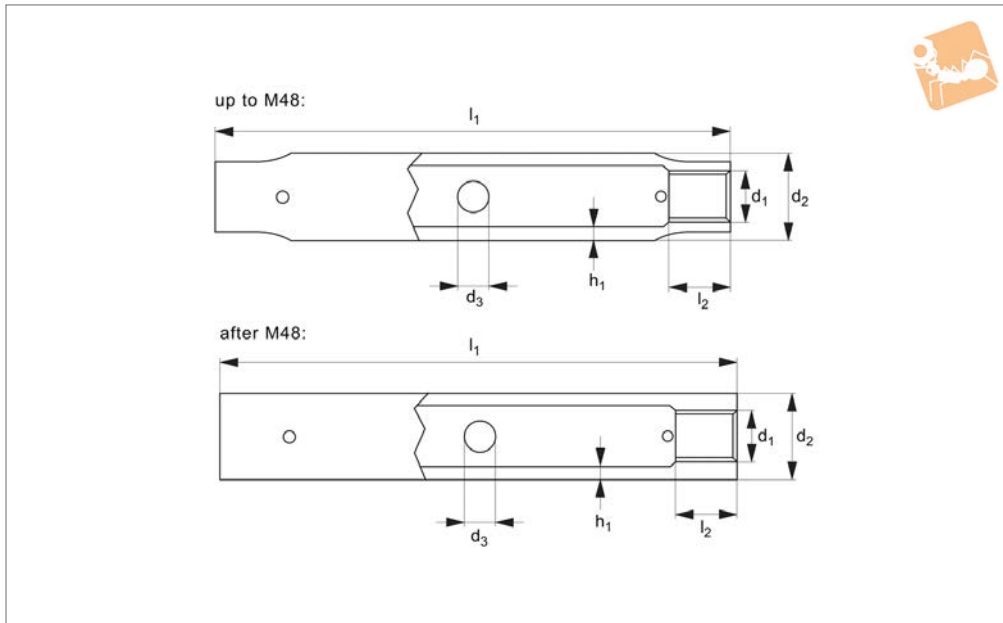
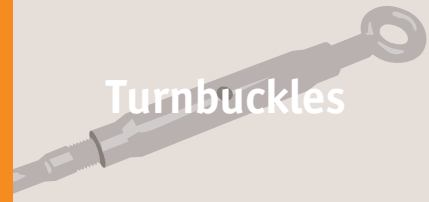


# Pipe Body Turnbuckles

steel

## Turnbuckles



**R3800**

TURNBUCKLES

### Material

Steel (1.0037), zinc-plated.  
Hot dip galvanized, available on request providing increased protection against corrosion. Please add -FZ for hot dip galvanized, e.g. R3800.006-FZ.

### Tips

Turnbuckles consist of a metal frame with right hand thread one end and left hand thread the other end. Used for tensioning by rotating turnbuckle body without twisting attached rope or cable.

**Only suitable for use in tension.**

### Technical Notes

To DIN 1478.

### Important Notes

**Turnbuckles are not to be used for lifting.**

Order No.	$d_1$	$l_1$	$d_2$	$d_3$ min.	$d_3$ max.	$h_1$	$l_2$	Adjustment	Weight kg
R3800.006-ZP	M 6	110	17.2	5.7	6.3	2.9	7.5	90	0.13
R3800.008-ZP	M 8	110	17.2	7.5	8.5	3.6	10	85	0.13
R3800.010-ZP	M10	125	21.3	7.5	8.5	4.0	12	95	0.18
R3800.012-ZP	M12	125	25.0	9.5	10.5	4.0	15	90	0.25
R3800.016-ZP	M16	170	30.0	9.5	10.5	4.5	20	120	0.45
R3800.020-ZP	M20	200	33.7	11.5	12.5	5.0	24	140	0.56
R3800.024-ZP	M24	255	42.4	11.5	12.5	5.6	29	180	1.08
R3800.030-ZP	M30	255	51.0	15.5	16.5	6.3	36	160	1.61
R3800.036-ZP	M36	295	63.5	15.5	16.5	8.0	43	180	2.35
R3800.042-ZP	M42	330	70.0	19.5	20.5	8.8	51	200	4.30
R3800.048-ZP	M48	355	82.5	19.5	20.5	10.0	58	210	5.50
R3800.056-ZP	M56	355	90.0	24.5	25.5	15.0	68	190	9.60
R3800.064-ZP	M64	425	100	24.5	25.5	16	77	240	14.00
R3800.072-ZP	M72x6	425	110	29.5	30.5	17	87	210	17.00
R3800.080-ZP	M80x6	440	120	29.5	30.5	18	96	210	21.00