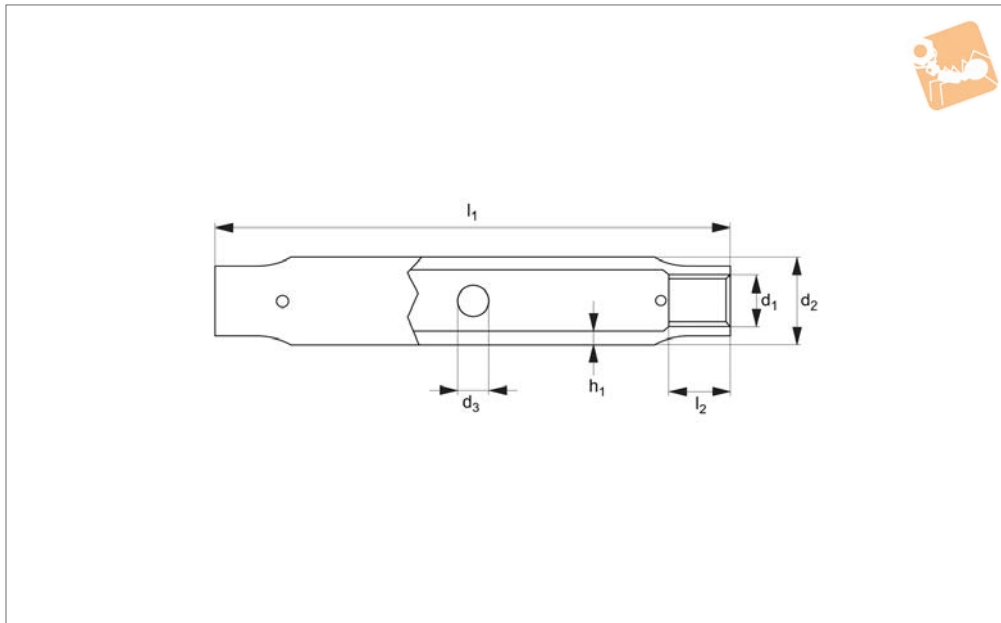
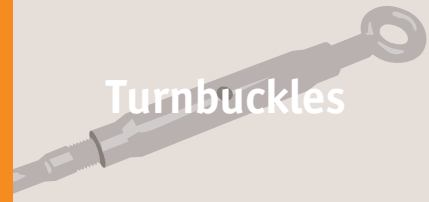


Pipe Body Turnbuckles

stainless steel

Turnbuckles



R3802

TURNBUCKLES

Material

Stainless steel (A4)

Technical Notes

To DIN 1478.

Tips

Turnbuckles consist of a metal frame with

right hand thread one end and left hand thread the other end. Used for tensioning by rotating turnbuckle body without twisting attached rope or cable.

Only suitable for use in tension.

Important Notes

Turnbuckles are not to be used for lifting.

Order No.	d ₁	d ₂	d ₃ min.	d ₃ max.	h ₁	l ₁	l ₂	Adjustment	Weight kg
R3802.006-A4	M 6	17.2	5.7	6.3	2.9	110	7.5	90	0.13
R3802.008-A4	M 8	17.2	7.5	8.5	3.6	110	10	85	0.13
R3802.010-A4	M10	21.3	7.5	8.5	4.0	125	12	95	0.18
R3802.012-A4	M12	25.0	9.5	10.5	4.0	125	15	90	0.25
R3802.016-A4	M16	30.0	9.5	10.5	4.5	170	20	120	0.45
R3802.020-A4	M20	33.7	11.5	12.5	5.0	200	24	140	0.56
R3802.024-A4	M24	42.4	11.5	12.5	5.6	255	29	180	1.08
R3802.030-A4	M30	51.0	15.5	16.5	6.3	255	36	160	1.61
R3802.036-A4	M36	63.5	15.5	16.5	8.0	295	43	180	2.35