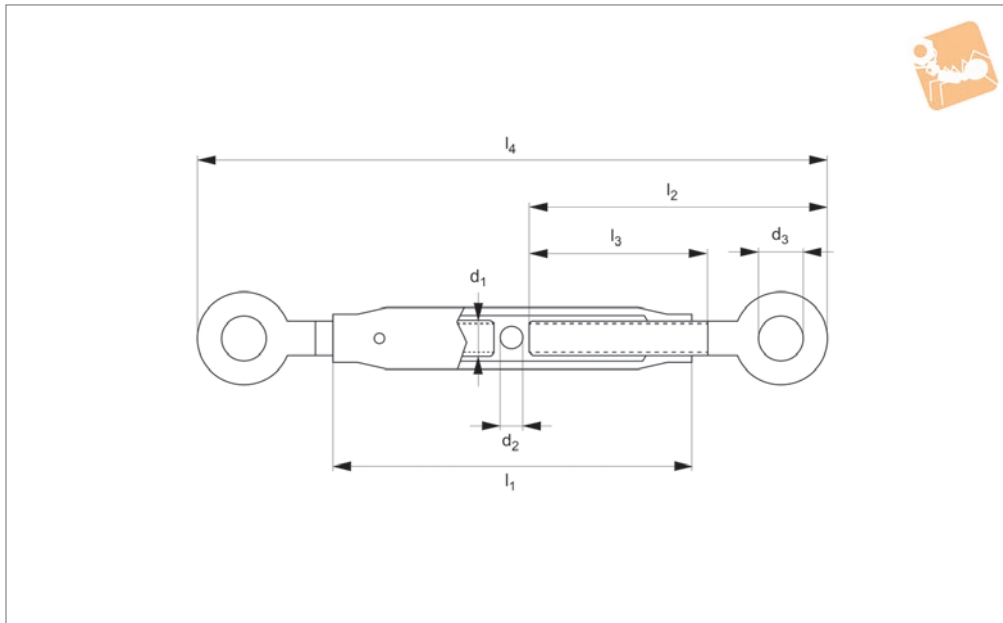
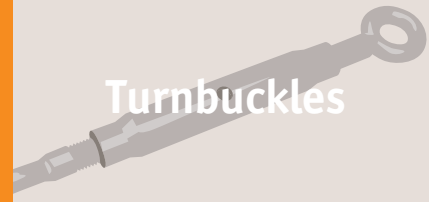




# Eye End Pipe Body Turnbuckles

steel

## Turnbuckles



**R3808**

TURNBUCKLES

**Material**

Steel (1.0037), zinc-plated.  
Hot dip galvanized, available on request providing increased protection against corrosion. Please add -FZ for hot dip galvanized, e.g. R3804.006-FZ.

**Tips**

Turnbuckles consist of a metal frame with right hand thread one end and left hand thread the other end. Used for tensioning by rotating turnbuckle body without twisting attached rope or cable.

**Only suitable for use in tension.**

**Technical Notes**

To DIN 1478.

**Important Notes**

**Turnbuckles are not to be used for lifting.**

Order No.	d <sub>1</sub>	l <sub>1</sub>	d <sub>2</sub>	d <sub>3</sub>	l <sub>2</sub>	l <sub>3</sub>	l <sub>4</sub> min.	l <sub>4</sub> max.	Weight kg
R3808.006-ZP	M 6	110	6	10	74	50	154	244	0.16
R3808.008-ZP	M 8	110	8	11	80	52	168	253	0.18
R3808.010-ZP	M10	125	8	15	95	59	199	294	0.28
R3808.012-ZP	M12	125	10	17	107	66	225	315	0.42
R3808.016-ZP	M16	170	10	22	146	85	302	422	0.91
R3808.020-ZP	M20	200	12	24	170	100	352	492	1.36
R3808.024-ZP	M24	255	12	33	213	134	437	619	2.60
R3808.030-ZP	M30	255	16	39	255	150	527	687	3.75
R3808.036-ZP	M36	295	16	37	260	150	537	717	6.35
R3808.042-ZP	M42	330	20	48	285	165	590	790	10.50
R3808.048-ZP	M48	355	20	58	335	185	691	901	15.50