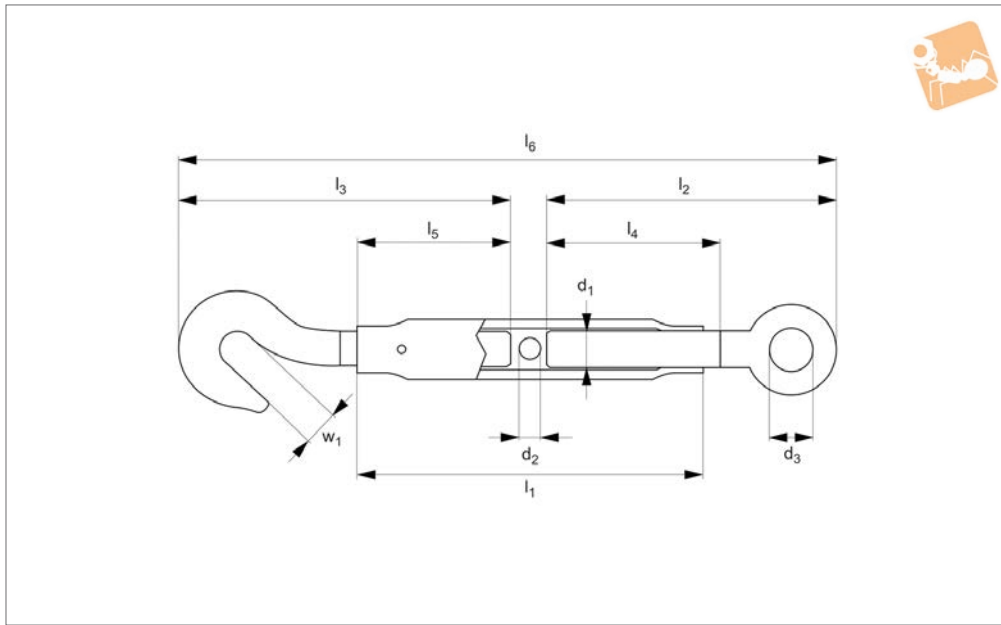
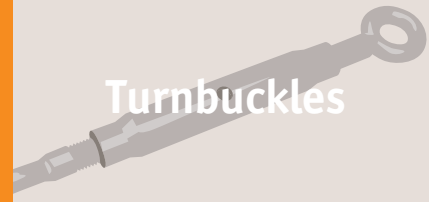




# Hook & Eye Pipe Body Turnbuckles

stainless steel

## Turnbuckles



**R3814**

TURNBUCKLES

### Material

Stainless steel (A4)

### Technical Notes

To DIN 1478.

### Tips

Turnbuckles consist of a metal frame with

right hand thread one end and left hand thread the other end. Used for tensioning by rotating turnbuckle body without twisting attached rope or cable.

**Only suitable for use in tension.**

### Important Notes

**Turnbuckles are not to be used for lifting.**

Order No.	d <sub>1</sub>	d <sub>2</sub>	d <sub>3</sub>	l <sub>1</sub>	l <sub>2</sub>	l <sub>3</sub>	l <sub>4</sub>	l <sub>5</sub>	l <sub>6</sub> min.	l <sub>6</sub> max.	w <sub>1</sub>	Weight kg
R3814.006-A4	M 6	6	10	110	74	77.0	50	50	157	247	9.5	0.16
R3814.008-A4	M 8	8	11	110	80	98.0	52	60	186	271	11.0	0.19
R3814.010-A4	M10	8	15	125	95	116.5	59	73	220	315	14.0	0.29
R3814.012-A4	M12	10	17	125	107	146.0	66	90	264	354	18.0	0.45
R3814.016-A4	M16	10	22	170	146	165.0	85	100	321	441	19.0	0.96