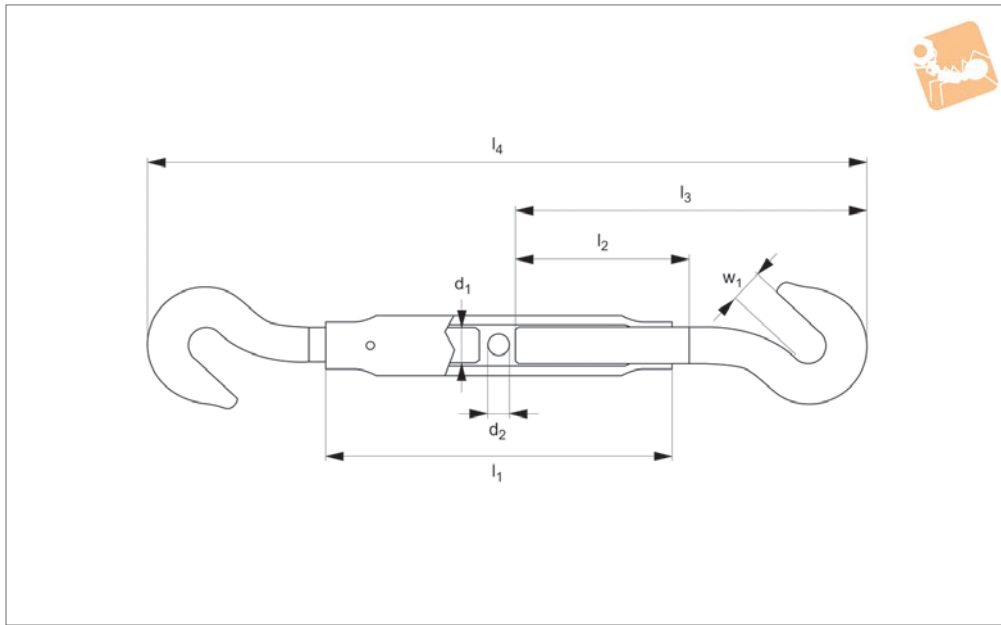
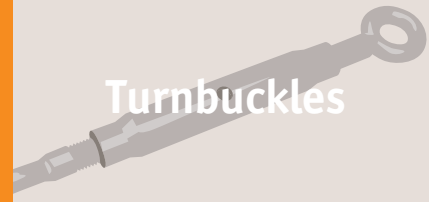




Hook End Pipe Body Turnbuckles

stainless steel

Turnbuckles



R3818

TURNBUCKLES

Material

Stainless steel (A4)

Technical Notes

To DIN 1478.

Tips

Turnbuckles consist of a metal frame with

right hand thread one end and left hand thread the other end. Used for tensioning by rotating turnbuckle body without twisting attached rope or cable.

Only suitable for use in tension.

Important Notes

Turnbuckles are not to be used for lifting.

| Order No. | d ₁ | d ₂ | l ₁ | l ₂ | l ₃ | l ₄ min. | l ₄ max. | w ₁ | Weight kg |
|--------------|----------------|----------------|----------------|----------------|----------------|------------------------|------------------------|----------------|--------------|
| R3818.006-A4 | M 6 | 6 | 110 | 50 | 77.0 | 160 | 250 | 9.5 | 0.16 |
| R3818.008-A4 | M 8 | 8 | 110 | 60 | 98.0 | 204 | 289 | 11.0 | 0.20 |
| R3818.010-A4 | M10 | 8 | 125 | 73 | 116.5 | 241 | 336 | 14.0 | 0.30 |
| R3818.012-A4 | M12 | 10 | 125 | 90 | 146.0 | 303 | 393 | 18.0 | 0.47 |
| R3818.016-A4 | M16 | 10 | 170 | 100 | 165.0 | 340 | 460 | 19.0 | 1.01 |