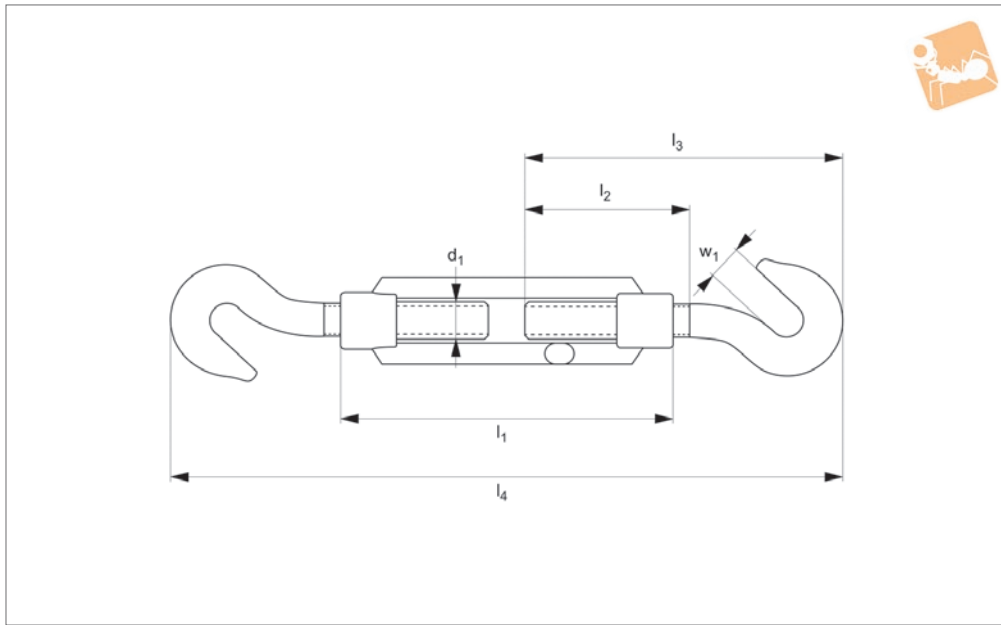
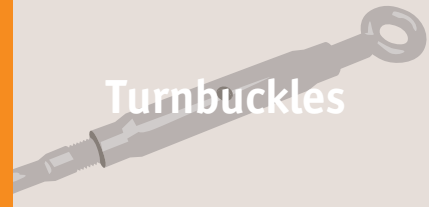




# Hook End Turnbuckles stainless steel

## Turnbuckles



### R3846

TURNBUCKLES

#### Material

Stainless steel (A4).

#### Technical Notes

To DIN 1480 hook to hook.

#### Tips

Turnbuckles consist of a metal frame with

right hand thread one end and left hand thread the other end. Used for tensioning by rotating turnbuckle body without twisting attached rope or cable.

**Only suitable for use in tension.**

#### Important Notes

**Turnbuckles are not to be used for lifting.**

Order No.	d <sub>1</sub>	l <sub>1</sub>	l <sub>2</sub>	l <sub>3</sub>	l <sub>4</sub> min.	l <sub>4</sub> max.	w <sub>1</sub>	Weight kg
R3846.006-A4	M 6	110	50	77.0	154	234	8.0	0.09
R3846.008-A4	M 8	110	60	98.0	196	271	10.0	0.16
R3846.010-A4	M10	125	73	116.5	233	318	12.5	0.27
R3846.012-A4	M12	125	90	146.0	293	373	16.0	0.42
R3846.016-A4	M16	170	100	165.0	330	440	16.0	1.00