

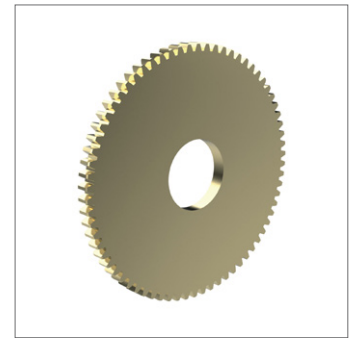
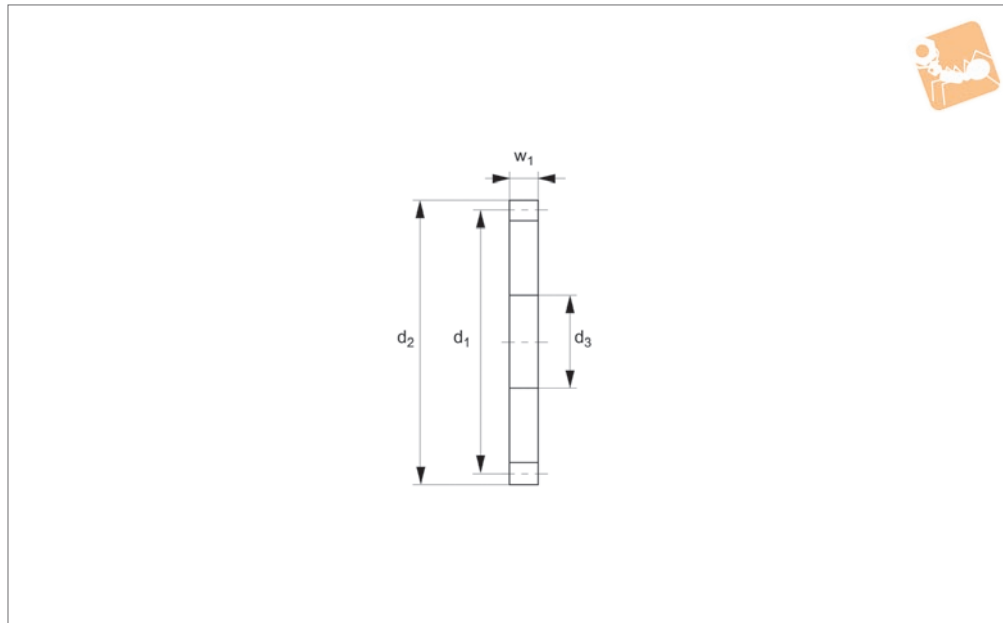


Spur Gears - Module 0.75 - Brass

brass - 50-120 teeth - hubless



Standard Spur Gears



R5135

STANDARD SPUR GEARS

Material

Brass (C3604B). Accuracy to JIS B 1702-1 (ISO) class 9.

Technical Notes

20° pressure angle, full depth tooth.
Amount of backlash when assembling

gears = 0,015 - 0,045mm.

Tips

For module 0.75 brass gears with fewer teeth, see R5130, R5132 & R5133. For a version of this product with hub, see R5136.

Max. allowable torque (Nm) is based on standard operating conditions (see technical pages) with a safety factor of 1.2. For non standard applications apply a suitable safety factor depending on frequency of use, type of working etc.

Order No.	Module	No. of teeth z	Pitch dia. d ₁	d ₂	w ₁	d ₃ tol. H8	Torque Nm max.	Weight g
R5135.075-050	m 0.75	50	37.5	39.0	3	15	0.86	23.7
R5135.075-055	m 0.75	55	41.3	42.8	3	15	0.96	29.6
R5135.075-056	m 0.75	56	42.0	43.5	3	15	0.98	30.8
R5135.075-058	m 0.75	58	43.5	45.0	3	15	1.03	33.4
R5135.075-060	m 0.75	60	45.0	46.5	3	15	1.07	36.1
R5135.075-062	m 0.75	62	46.5	48.0	3	15	1.11	38.8
R5135.075-064	m 0.75	64	48.0	49.5	3	15	1.16	41.6
R5135.075-065	m 0.75	65	48.8	50.3	3	15	1.18	43.1
R5135.075-066	m 0.75	66	49.5	51.0	3	15	1.20	44.6
R5135.075-068	m 0.75	68	51.0	52.5	3	15	1.24	47.6
R5135.075-070	m 0.75	70	52.5	54.0	3	15	1.28	50.7
R5135.075-072	m 0.75	72	54.0	55.5	3	15	1.33	53.9
R5135.075-075	m 0.75	75	56.3	57.8	3	15	1.39	58.9
R5135.075-080	m 0.75	80	60.0	61.5	3	15	1.50	67.6
R5135.075-085	m 0.75	85	63.8	65.3	3	15	1.61	76.9
R5135.075-090	m 0.75	90	67.5	69.0	3	15	1.72	86.7
R5135.075-095	m 0.75	95	71.3	72.8	3	15	1.82	97.2
R5135.075-100	m 0.75	100	75.0	76.5	3	15	1.93	108.1
R5135.075-105	m 0.75	105	78.8	80.3	3	15	2.04	119.7
R5135.075-110	m 0.75	110	82.5	84.0	3	15	2.15	131.8
R5135.075-115	m 0.75	115	86.3	87.8	3	15	2.26	144.5
R5135.075-120	m 0.75	120	90.0	91.5	3	15	2.37	157.7