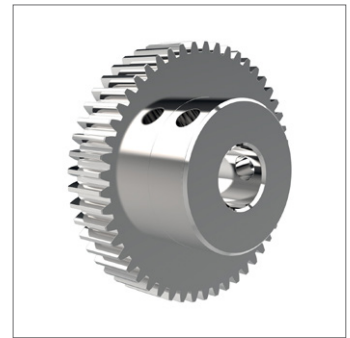
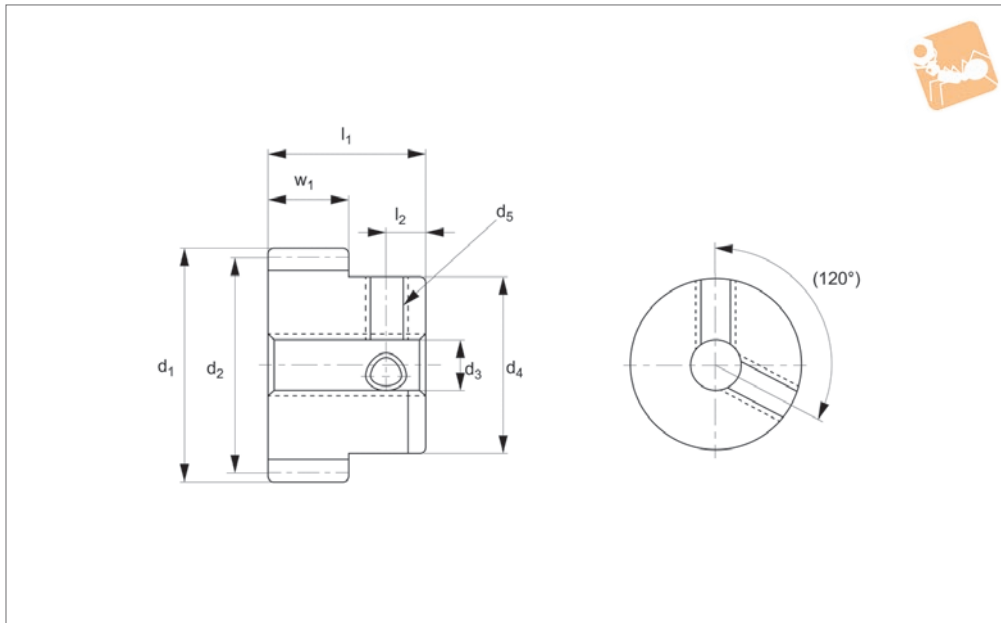




# Spur Gears - Module 1

carbon steel - 14-120 teeth



**R5179**

STANDARD SPUR GEARS

**Material**

Carbon steel (ISO C45). Accuracy to JIS B 1702-1 (ISO) class 8, induction hardened class 9.

**Technical Notes**

20° pressure angle, full depth tooth.  
Amount of backlash when assembling

gears=0,04- 0,10 mm.

**Tips**

Module 1 for gears with 8-10 teeth see R5175 & R5176, for gears with 12-18 teeth see R5177, for gears with 14-120 teeth without screw see R5179. Max. allowable torque (Nm) is based on standard opera-

ting conditions (see technical pages) with a safety factor of 1.2. For non standard applications apply a suitable safety factor depending on frequency of use, type of working etc.

| Order No.            | Module | No. of teeth z | Pitch dia. d <sub>1</sub> | d <sub>2</sub> | w <sub>1</sub> | d <sub>3</sub><br>tol. H7 | Hub dia. d <sub>4</sub> | l <sub>1</sub> | l <sub>2</sub> | Thread d <sub>5</sub> | Torque<br>Nm<br>max. | Weight<br>g |
|----------------------|--------|----------------|---------------------------|----------------|----------------|---------------------------|-------------------------|----------------|----------------|-----------------------|----------------------|-------------|
| R5179.100-014-08-05  | m 1    | 14             | 14                        | 16             | 8              | 5 tol. H8                 | 11                      | 16             | -              | -                     | 3.38                 | 13          |
| R5179.100-014-10-05  | m 1    | 14             | 14                        | 16             | 10             | 5 tol. H8                 | 11                      | 20             | -              | -                     | 3.80                 | 17          |
| R5179.100-015-08-05  | m 1    | 15             | 15                        | 17             | 8              | 5 tol. H8                 | 12                      | 16             | -              | -                     | 3.79                 | 16          |
| R5179.100-015-10-05  | m 1    | 15             | 15                        | 17             | 10             | 5 tol. H8                 | 12                      | 20             | -              | -                     | 4.30                 | 20          |
| R5179.100-016-08-05  | m 1    | 16             | 16                        | 18             | 8              | 5 tol. H8                 | 13                      | 16             | -              | -                     | 4.21                 | 19          |
| R5179.100-016-10-05  | m 1    | 16             | 16                        | 18             | 10             | 5 tol. H8                 | 13                      | 20             | -              | -                     | 4.80                 | 22          |
| R5179.100-017-08-05  | m 1    | 17             | 17                        | 19             | 8              | 5 tol. H8                 | 14                      | 16             | -              | -                     | 4.63                 | 22          |
| R5179.100-017-10-05  | m 1    | 17             | 17                        | 19             | 10             | 5 tol. H8                 | 14                      | 20             | -              | -                     | 5.23                 | 27          |
| R5179.100-018-08-06  | m 1    | 18             | 18                        | 20             | 8              | 6                         | 14                      | 16             | 4              | 2xM 4                 | 5.06                 | 22          |
| R5179.100-018-10-06  | m 1    | 18             | 18                        | 20             | 10             | 6 tol. H8                 | 15                      | 20             | -              | -                     | 6.32                 | 30          |
| R5179.100-018-10-08  | m 1    | 18             | 18                        | 20             | 10             | 8                         | 15                      | 20             | 5              | 2xM 5                 | 6.62                 | 26          |
| R5179.100-019-08-06  | m 1    | 19             | 19                        | 21             | 8              | 6                         | 16                      | 16             | -              | -                     | 6.38                 | 26          |
| R5179.100-019-12-08  | m 1    | 19             | 19                        | 21             | 12             | 8                         | 16                      | 20             | -              | -                     | 9.57                 | 31          |
| R5179.100-020-08-06  | m 1    | 20             | 20                        | 22             | 8              | 6                         | 16                      | 16             | -              | -                     | 5.94                 | 29          |
| R5179.100-020-08-06T | m 1    | 20             | 20                        | 22             | 8              | 6                         | 16                      | 16             | 4              | 2xM 4                 | 5.94                 | 28          |
| R5179.100-020-08-08  | m 1    | 20             | 20                        | 22             | 8              | 8                         | 16                      | 16             | 4              | 2xM 4                 | 5.94                 | 26          |
| R5179.100-020-10-05  | m 1    | 20             | 20                        | 22             | 10             | 5 tol. H8                 | 16                      | 20             | -              | -                     | 7.47                 | 37          |
| R5179.100-020-10-06  | m 1    | 20             | 20                        | 22             | 10             | 6 tol. H8                 | 16                      | 20             | -              | -                     | 7.47                 | 37          |
| R5179.100-020-10-08  | m 1    | 20             | 20                        | 22             | 10             | 8                         | 16                      | 20             | 5              | 2xM 5                 | 7.47                 | 32          |
| R5179.100-020-12-06  | m 1    | 20             | 20                        | 22             | 12             | 6 tol. H8                 | 16                      | 20             | -              | -                     | 8.90                 | 38          |
| R5179.100-020-12-06T | m 1    | 20             | 20                        | 22             | 12             | 6 tol. H8                 | 16                      | 20             | 4              | 2xM 4                 | 8.90                 | 37          |
| R5179.100-020-12-08  | m 1    | 20             | 20                        | 22             | 12             | 8                         | 16                      | 20             | 4              | 2xM 4                 | 8.90                 | 34          |
| R5179.100-021-08-06  | m 1    | 21             | 21                        | 23             | 8              | 6                         | 18                      | 16             | -              | -                     | 6.38                 | 34          |
| R5179.100-021-12-08  | m 1    | 21             | 21                        | 23             | 12             | 8                         | 18                      | 20             | -              | -                     | 9.57                 | 49          |
| R5179.100-022-08-06  | m 1    | 22             | 22                        | 24             | 8              | 6                         | 18                      | 16             | -              | -                     | 6.83                 | 37          |
| R5179.100-022-12-08  | m 1    | 22             | 22                        | 24             | 12             | 8                         | 18                      | 20             | -              | -                     | 10.24                | 44          |
| R5179.100-023-08-06  | m 1    | 23             | 23                        | 25             | 8              | 6                         | 20                      | 16             | -              | -                     | 7.28                 | 43          |
| R5179.100-023-12-08  | m 1    | 23             | 23                        | 25             | 12             | 8                         | 20                      | 20             | -              | -                     | 10.93                | 51          |
| R5179.100-024-08-06  | m 1    | 24             | 24                        | 26             | 8              | 6                         | 16                      | 16             | -              | -                     | 7.74                 | 38          |



| Order No.            | Module | No. of teeth z | Pitch dia. d <sub>1</sub> | d <sub>2</sub> | w <sub>1</sub> | d <sub>3</sub><br>tol. H7 | Hub dia. d <sub>4</sub> | l <sub>1</sub> | l <sub>2</sub> | Thread d <sub>5</sub> | Torque<br>Nm<br>max. | Weight<br>g |
|----------------------|--------|----------------|---------------------------|----------------|----------------|---------------------------|-------------------------|----------------|----------------|-----------------------|----------------------|-------------|
| R5179.100-024-08-06T | m 1    | 24             | 24                        | 26             | 8              | 6                         | 16                      | 16             | 4              | 2xM 4                 | 7.74                 | 37          |
| R5179.100-024-08-08  | m 1    | 24             | 24                        | 26             | 8              | 8                         | 16                      | 16             | 4              | 2xM 4                 | 7.74                 | 35          |
| R5179.100-024-10-06  | m 1    | 24             | 24                        | 26             | 10             | 6 tol. H8                 | 20                      | 20             | -              | -                     | 9.67                 | 56          |
| R5179.100-024-10-08  | m 1    | 24             | 24                        | 26             | 10             | 8                         | 20                      | 20             | 5              | 2xM 5                 | 9.67                 | 51          |
| R5179.100-024-12-08  | m 1    | 24             | 24                        | 26             | 12             | 8                         | 20                      | 20             | -              | -                     | 11.61                | 55          |
| R5179.100-024-12-08T | m 1    | 24             | 24                        | 26             | 12             | 8                         | 20                      | 20             | 4              | 2xM 4                 | 11.61                | 54          |
| R5179.100-024-12-10  | m 1    | 24             | 24                        | 26             | 12             | 10                        | 20                      | 20             | 4              | 2xM 4                 | 11.61                | 49          |
| R5179.100-025-08-06  | m 1    | 25             | 25                        | 27             | 8              | 6                         | 16                      | 16             | -              | -                     | 8.20                 | 40          |
| R5179.100-025-08-06T | m 1    | 25             | 25                        | 27             | 8              | 6                         | 16                      | 16             | 4              | 2xM 4                 | 8.20                 | 40          |
| R5179.100-025-08-08  | m 1    | 25             | 25                        | 27             | 8              | 8                         | 16                      | 16             | 4              | 2xM 4                 | 8.20                 | 37          |
| R5179.100-025-10-05  | m 1    | 25             | 25                        | 27             | 10             | 5 tol. H8                 | 20                      | 20             | -              | -                     | 10.90                | 60          |
| R5179.100-025-10-06  | m 1    | 25             | 25                        | 27             | 10             | 6 tol. H8                 | 20                      | 20             | -              | -                     | 10.90                | 59          |
| R5179.100-025-10-08  | m 1    | 25             | 25                        | 27             | 10             | 8                         | 20                      | 20             | 5              | 2xM 5                 | 10.90                | 54          |
| R5179.100-025-12-08  | m 1    | 25             | 25                        | 27             | 12             | 8                         | 20                      | 20             | -              | -                     | 12.30                | 59          |
| R5179.100-025-12-08T | m 1    | 25             | 25                        | 27             | 12             | 8                         | 20                      | 20             | 4              | 2xM 4                 | 12.30                | 58          |
| R5179.100-025-12-10  | m 1    | 25             | 25                        | 27             | 12             | 10                        | 20                      | 20             | 4              | 2xM 4                 | 12.30                | 53          |
| R5179.100-026-08-06  | m 1    | 26             | 26                        | 28             | 8              | 6                         | 22                      | 16             | -              | -                     | 8.66                 | 54          |
| R5179.100-026-12-08  | m 1    | 26             | 26                        | 28             | 12             | 8                         | 22                      | 20             | -              | -                     | 12.99                | 66          |
| R5179.100-027-08-06  | m 1    | 27             | 27                        | 29             | 8              | 6                         | 24                      | 16             | -              | -                     | 9.13                 | 61          |
| R5179.100-027-12-08  | m 1    | 27             | 27                        | 29             | 12             | 8                         | 24                      | 20             | -              | -                     | 13.69                | 75          |
| R5179.100-028-08-06  | m 1    | 28             | 28                        | 30             | 8              | 6                         | 20                      | 16             | -              | -                     | 9.60                 | 55          |
| R5179.100-028-08-06T | m 1    | 28             | 28                        | 30             | 8              | 6                         | 20                      | 16             | 4              | 2xM 4                 | 9.60                 | 54          |
| R5179.100-028-08-08  | m 1    | 28             | 28                        | 30             | 8              | 8                         | 20                      | 16             | 4              | 2xM 4                 | 9.60                 | 52          |
| R5179.100-028-08-10  | m 1    | 28             | 28                        | 30             | 8              | 10                        | 20                      | 16             | 4              | 2xM 4                 | 9.60                 | 52          |
| R5179.100-028-10-08  | m 1    | 28             | 28                        | 30             | 10             | 8                         | 24                      | 20             | -              | -                     | 12.90                | 77          |
| R5179.100-028-10-10  | m 1    | 28             | 28                        | 30             | 10             | 10                        | 24                      | 20             | 5              | 2xM 5                 | 12.90                | 70          |
| R5179.100-028-12-10  | m 1    | 28             | 28                        | 30             | 12             | 10                        | 24                      | 20             | -              | -                     | 14.40                | 75          |
| R5179.100-028-12-10T | m 1    | 28             | 28                        | 30             | 12             | 10                        | 24                      | 20             | 4              | 2xM 4                 | 14.40                | 73          |
| R5179.100-028-12-12  | m 1    | 28             | 28                        | 30             | 12             | 12                        | 24                      | 20             | 4              | 2xM 4                 | 14.40                | 68          |
| R5179.100-030-08-06  | m1     | 30             | 30                        | 32             | 8              | 6                         | 24                      | 16             | -              | -                     | 10.54                | 70          |
| R5179.100-030-08-06T | m1     | 30             | 30                        | 32             | 8              | 6                         | 24                      | 16             | 4              | 2xM 4                 | 10.54                | 68          |
| R5179.100-030-08-08  | m1     | 30             | 30                        | 32             | 8              | 8                         | 24                      | 16             | 4              | 2xM 4                 | 10.54                | 66          |
| R5179.100-030-08-10  | m1     | 30             | 30                        | 32             | 8              | 10                        | 24                      | 16             | 4              | 2xM 4                 | 10.54                | 62          |
| R5179.100-030-08-12  | m1     | 30             | 30                        | 32             | 8              | 12                        | 24                      | 16             | 4              | 2xM 4                 | 10.54                | 58          |
| R5179.100-030-10-06  | m1     | 30             | 30                        | 32             | 10             | 6 tol. H8                 | 25                      | 20             | -              | -                     | 13.19                | 90          |
| R5179.100-030-10-08  | m1     | 30             | 30                        | 32             | 10             | 8                         | 25                      | 20             | -              | -                     | 13.19                | 87          |
| R5179.100-030-10-10  | m1     | 30             | 30                        | 32             | 10             | 10                        | 25                      | 20             | 5              | 2xM 5                 | 13.19                | 80          |
| R5179.100-030-12-10  | m1     | 30             | 30                        | 32             | 12             | 10                        | 24                      | 20             | -              | -                     | 15.81                | 83          |
| R5179.100-030-12-10T | m1     | 30             | 30                        | 32             | 12             | 10                        | 24                      | 20             | 4              | 2xM 4                 | 15.81                | 81          |
| R5179.100-030-12-12  | m1     | 30             | 30                        | 32             | 12             | 12                        | 24                      | 20             | 4              | 2xM 4                 | 15.81                | 76          |
| R5179.100-032-06-06  | m1     | 32             | 32                        | 34             | 6              | 6                         | 24                      | 16             | -              | -                     | 8.62                 | 70          |
| R5179.100-032-06-06T | m1     | 32             | 32                        | 34             | 6              | 6                         | 24                      | 16             | 4              | 2xM 4                 | 8.62                 | 69          |
| R5179.100-032-06-08  | m1     | 32             | 32                        | 34             | 6              | 8                         | 24                      | 16             | 4              | 2xM 4                 | 8.62                 | 66          |
| R5179.100-032-06-10  | m1     | 32             | 32                        | 34             | 6              | 10                        | 24                      | 16             | 5              | 2xM 5                 | 8.62                 | 62          |
| R5179.100-032-06-12  | m1     | 32             | 32                        | 34             | 6              | 12                        | 24                      | 16             | 5              | 2xM 5                 | 8.62                 | 58          |
| R5179.100-032-10-10  | m1     | 32             | 32                        | 34             | 10             | 10                        | 24                      | 20             | -              | -                     | 14.37                | 87          |
| R5179.100-032-10-10T | m1     | 32             | 32                        | 34             | 10             | 10                        | 24                      | 20             | 5              | 2xM 5                 | 14.37                | 85          |
| R5179.100-032-10-12  | m1     | 32             | 32                        | 34             | 10             | 12                        | 24                      | 20             | 5              | 2xM 5                 | 14.37                | 80          |
| R5179.100-034-06-06  | m1     | 34             | 34                        | 36             | 6              | 6                         | 28                      | 16             | -              | -                     | 9.34                 | 88          |
| R5179.100-034-10-10  | m1     | 34             | 34                        | 36             | 10             | 10                        | 28                      | 20             | -              | -                     | 15.57                | 108         |
| R5179.100-035-06-06  | m1     | 35             | 35                        | 37             | 6              | 6                         | 24                      | 16             | -              | -                     | 9.70                 | 78          |
| R5179.100-035-06-06T | m1     | 35             | 35                        | 37             | 6              | 6                         | 24                      | 16             | 4              | 2xM 4                 | 9.70                 | 76          |
| R5179.100-035-06-08  | m1     | 35             | 35                        | 37             | 6              | 8                         | 24                      | 16             | 4              | 2xM 4                 | 9.70                 | 74          |
| R5179.100-035-06-10  | m1     | 35             | 35                        | 37             | 6              | 10                        | 24                      | 16             | 5              | 2xM 5                 | 9.70                 | 70          |
| R5179.100-035-06-12  | m1     | 35             | 35                        | 37             | 6              | 12                        | 24                      | 16             | 5              | 2xM 5                 | 9.70                 | 66          |
| R5179.100-035-10-10  | m1     | 35             | 35                        | 37             | 10             | 10                        | 30                      | 20             | -              | -                     | 16.17                | 119         |
| R5179.100-035-10-10T | m1     | 35             | 35                        | 37             | 10             | 10                        | 30                      | 20             | 5              | 2xM 5                 | 16.17                | 117         |
| R5179.100-035-10-12  | m1     | 35             | 35                        | 37             | 10             | 12                        | 30                      | 20             | 5              | 2xM 5                 | 16.17                | 111         |
| R5179.100-035-10-15  | m1     | 35             | 35                        | 37             | 10             | 15                        | 30                      | 20             | 5              | 2xM 5                 | 16.17                | 102         |
| R5179.100-036-06-08  | m1     | 36             | 36                        | 38             | 6              | 8                         | 24                      | 16             | -              | -                     | 10.07                | 78          |
| R5179.100-036-06-08T | m1     | 36             | 36                        | 38             | 6              | 8                         | 24                      | 16             | 4              | 2xM 4                 | 10.07                | 76          |
| R5179.100-036-06-10  | m1     | 36             | 36                        | 38             | 6              | 10                        | 24                      | 16             | 5              | 2xM 5                 | 10.07                | 72          |
| R5179.100-036-06-12  | m1     | 36             | 36                        | 38             | 6              | 12                        | 24                      | 16             | 5              | 2xM 5                 | 10.07                | 68          |
| R5179.100-036-10-10  | m1     | 36             | 36                        | 38             | 10             | 10                        | 30                      | 20             | -              | -                     | 16.78                | 124         |
| R5179.100-036-10-10T | m1     | 36             | 36                        | 38             | 10             | 10                        | 30                      | 20             | 5              | 2xM 5                 | 16.78                | 121         |
| R5179.100-036-10-12  | m1     | 36             | 36                        | 38             | 10             | 12                        | 30                      | 20             | 5              | 2xM 5                 | 16.78                | 116         |
| R5179.100-036-10-15  | m1     | 36             | 36                        | 38             | 10             | 15                        | 30                      | 20             | 5              | 2xM 5                 | 16.78                | 106         |

# Spur Gears - Module 1

carbon steel - 14-120 teeth

## Standard Spur Gears



| Order No.            | Module | No. of teeth z | Pitch dia. d <sub>1</sub> | d <sub>2</sub> | w <sub>1</sub> | d <sub>3</sub><br>tol. H7 | Hub dia. d <sub>4</sub> | l <sub>1</sub> | l <sub>2</sub> | Thread d <sub>5</sub> | Torque<br>Nm<br>max. | Weight<br>g |
|----------------------|--------|----------------|---------------------------|----------------|----------------|---------------------------|-------------------------|----------------|----------------|-----------------------|----------------------|-------------|
| R5179.100-038-06-08  | m1     | 38             | 38                        | 40             | 6              | 8                         | 25                      | 16             | -              | -                     | 10.80                | 86          |
| R5179.100-038-10-10  | m1     | 38             | 38                        | 40             | 10             | 10                        | 30                      | 20             | -              | -                     | 18.00                | 133         |
| R5179.100-040-06-08  | m1     | 40             | 40                        | 42             | 6              | 8                         | 24                      | 16             | -              | -                     | 11.53                | 89          |
| R5179.100-040-06-08T | m1     | 40             | 40                        | 42             | 6              | 8                         | 24                      | 16             | 4              | 2xM 4                 | 11.53                | 88          |
| R5179.100-040-06-10  | m1     | 40             | 40                        | 42             | 6              | 10                        | 24                      | 16             | 5              | 2xM 5                 | 11.53                | 84          |
| R5179.100-040-06-12  | m1     | 40             | 40                        | 42             | 6              | 12                        | 24                      | 16             | 5              | 2xM 5                 | 11.53                | 79          |
| R5179.100-040-10-06  | m1     | 40             | 40                        | 42             | 10             | 6 tol. H8                 | 30                      | 20             | -              | -                     | 19.18                | 150         |
| R5179.100-040-10-10  | m1     | 40             | 40                        | 42             | 10             | 10                        | 30                      | 20             | -              | -                     | 19.18                | 142         |
| R5179.100-040-10-10T | m1     | 40             | 40                        | 42             | 10             | 10                        | 30                      | 20             | 5              | 2xM 5                 | 19.18                | 140         |
| R5179.100-040-10-12  | m1     | 40             | 40                        | 42             | 10             | 12                        | 30                      | 20             | 5              | 2xM 5                 | 19.18                | 135         |
| R5179.100-040-10-15  | m1     | 40             | 40                        | 42             | 10             | 15                        | 30                      | 20             | 5              | 2xM 5                 | 19.18                | 125         |
| R5179.100-042-06-08  | m1     | 42             | 42                        | 44             | 6              | 8                         | 28                      | 16             | -              | -                     | 12.27                | 108         |
| R5179.100-042-10-10  | m1     | 42             | 42                        | 44             | 10             | 10                        | 30                      | 20             | -              | -                     | 20.45                | 152         |
| R5179.100-044-06-08  | m1     | 44             | 44                        | 46             | 6              | 8                         | 28                      | 16             | -              | -                     | 13.01                | 114         |
| R5179.100-044-10-10  | m1     | 44             | 44                        | 46             | 10             | 10                        | 30                      | 20             | -              | -                     | 21.68                | 163         |
| R5179.100-045-06-08  | m1     | 45             | 45                        | 47             | 6              | 8                         | 24                      | 16             | -              | -                     | 13.38                | 105         |
| R5179.100-045-06-08T | m1     | 45             | 45                        | 47             | 6              | 8                         | 24                      | 16             | 4              | 2xM 4                 | 13.38                | 103         |
| R5179.100-045-06-10  | m1     | 45             | 45                        | 47             | 6              | 10                        | 24                      | 16             | 5              | 2xM 5                 | 13.38                | 99          |
| R5179.100-045-06-12  | m1     | 45             | 45                        | 47             | 6              | 12                        | 24                      | 16             | 5              | 2xM 5                 | 13.38                | 95          |
| R5179.100-045-10-10  | m1     | 45             | 45                        | 47             | 10             | 10                        | 30                      | 20             | -              | -                     | 22.30                | 168         |
| R5179.100-045-10-10T | m1     | 45             | 45                        | 47             | 10             | 10                        | 30                      | 20             | 5              | 2xM 5                 | 22.30                | 166         |
| R5179.100-045-10-12  | m1     | 45             | 45                        | 47             | 10             | 12                        | 30                      | 20             | 5              | 2xM 5                 | 22.30                | 161         |
| R5179.100-045-10-15  | m1     | 45             | 45                        | 47             | 10             | 15                        | 30                      | 20             | 5              | 2xM 5                 | 22.30                | 151         |
| R5179.100-046-06-08  | m1     | 46             | 46                        | 48             | 6              | 8                         | 30                      | 16             | -              | -                     | 13.75                | 128         |
| R5179.100-046-10-10  | m1     | 46             | 46                        | 48             | 10             | 10                        | 30                      | 20             | -              | -                     | 22.92                | 174         |
| R5179.100-048-06-08  | m1     | 48             | 48                        | 50             | 6              | 8                         | 24                      | 16             | -              | -                     | 15.18                | 115         |
| R5179.100-048-06-08T | m1     | 48             | 48                        | 50             | 6              | 8                         | 24                      | 16             | 4              | 2xM 4                 | 15.18                | 114         |
| R5179.100-048-06-10  | m1     | 48             | 48                        | 50             | 6              | 10                        | 24                      | 16             | 5              | 2xM 5                 | 15.18                | 110         |
| R5179.100-048-06-12  | m1     | 48             | 48                        | 50             | 6              | 12                        | 24                      | 16             | 5              | 2xM 5                 | 15.18                | 105         |
| R5179.100-048-10-10  | m1     | 48             | 48                        | 50             | 10             | 10                        | 30                      | 20             | -              | -                     | 23.87                | 186         |
| R5179.100-048-10-10T | m1     | 48             | 48                        | 50             | 10             | 10                        | 30                      | 20             | 5              | 2xM 5                 | 23.87                | 183         |
| R5179.100-048-10-12  | m1     | 48             | 48                        | 50             | 10             | 12                        | 30                      | 20             | 5              | 2xM 5                 | 23.87                | 178         |
| R5179.100-048-10-15  | m1     | 48             | 48                        | 50             | 10             | 15                        | 30                      | 20             | 5              | 2xM 5                 | 23.87                | 168         |
| R5179.100-050-06-08  | m1     | 50             | 50                        | 52             | 6              | 8                         | 24                      | 16             | -              | -                     | 14.32                | 122         |
| R5179.100-050-06-08T | m1     | 50             | 50                        | 52             | 6              | 8                         | 24                      | 16             | 4              | 2xM 4                 | 14.32                | 121         |
| R5179.100-050-06-10  | m1     | 50             | 50                        | 52             | 6              | 10                        | 24                      | 16             | 5              | 2xM 5                 | 14.32                | 117         |
| R5179.100-050-06-12  | m1     | 50             | 50                        | 52             | 6              | 12                        | 24                      | 16             | 5              | 2xM 5                 | 14.32                | 113         |
| R5179.100-050-10-08  | m1     | 50             | 50                        | 52             | 10             | 8                         | 35                      | 20             | -              | -                     | 24.83                | 221         |
| R5179.100-050-10-10  | m1     | 50             | 50                        | 52             | 10             | 10                        | 30                      | 20             | -              | -                     | 24.83                | 198         |
| R5179.100-050-10-10T | m1     | 50             | 50                        | 52             | 10             | 10                        | 30                      | 20             | 5              | 2xM 5                 | 24.83                | 195         |
| R5179.100-050-10-12  | m1     | 50             | 50                        | 52             | 10             | 12                        | 30                      | 20             | 5              | 2xM 5                 | 24.83                | 190         |
| R5179.100-050-10-15  | m1     | 50             | 50                        | 52             | 10             | 15                        | 30                      | 20             | 5              | 2xM 5                 | 24.83                | 180         |
| R5179.100-052-06-10  | m1     | 52             | 52                        | 54             | 6              | 10                        | 40                      | 16             | -              | -                     | 15.28                | 189         |
| R5179.100-052-10-10  | m1     | 52             | 52                        | 54             | 10             | 10                        | 46                      | 20             | -              | -                     | 25.78                | 285         |
| R5179.100-054-06-10  | m1     | 54             | 54                        | 56             | 6              | 10                        | 40                      | 16             | -              | -                     | 16.23                | 197         |
| R5179.100-054-10-10  | m1     | 54             | 54                        | 56             | 10             | 10                        | 46                      | 20             | -              | -                     | 27.69                | 298         |
| R5179.100-055-06-10  | m1     | 55             | 55                        | 57             | 6              | 10                        | 40                      | 16             | -              | -                     | 16.23                | 201         |
| R5179.100-055-10-10  | m1     | 55             | 55                        | 57             | 10             | 10                        | 46                      | 20             | -              | -                     | 27.69                | 305         |
| R5179.100-056-06-10  | m1     | 56             | 56                        | 58             | 6              | 10                        | 24                      | 16             | -              | -                     | 17.19                | 142         |
| R5179.100-056-06-10T | m1     | 56             | 56                        | 58             | 6              | 10                        | 24                      | 16             | 5              | 2xM 5                 | 17.19                | 140         |
| R5179.100-056-06-12  | m1     | 56             | 56                        | 58             | 6              | 12                        | 24                      | 16             | 5              | 2xM 5                 | 17.19                | 136         |
| R5179.100-056-10-10  | m1     | 56             | 56                        | 58             | 10             | 10                        | 30                      | 20             | -              | -                     | 28.65                | 237         |
| R5179.100-056-10-10T | m1     | 56             | 56                        | 58             | 10             | 10                        | 30                      | 20             | 5              | 2xM 5                 | 28.65                | 234         |
| R5179.100-056-10-12  | m1     | 56             | 56                        | 58             | 10             | 12                        | 30                      | 20             | 5              | 2xM 5                 | 28.65                | 229         |
| R5179.100-056-10-15  | m1     | 56             | 56                        | 58             | 10             | 15                        | 30                      | 20             | 5              | 2xM 5                 | 28.65                | 220         |
| R5179.100-058-06-10  | m1     | 58             | 58                        | 60             | 6              | 10                        | 40                      | 16             | -              | -                     | 18.14                | 214         |
| R5179.100-058-10-10  | m1     | 58             | 58                        | 60             | 10             | 10                        | 50                      | 20             | -              | -                     | 29.60                | 362         |
| R5179.100-060-06-10  | m1     | 60             | 60                        | 62             | 6              | 10                        | 30                      | 16             | -              | -                     | 18.14                | 179         |
| R5179.100-060-06-10T | m1     | 60             | 60                        | 62             | 6              | 10                        | 30                      | 16             | 5              | 2xM 5                 | 18.14                | 177         |
| R5179.100-060-06-12  | m1     | 60             | 60                        | 62             | 6              | 12                        | 30                      | 16             | 5              | 2xM 5                 | 18.14                | 173         |
| R5179.100-060-06-15  | m1     | 60             | 60                        | 62             | 6              | 15                        | 30                      | 16             | 5              | 2xM 5                 | 18.14                | 165         |
| R5179.100-060-10-08  | m1     | 60             | 60                        | 62             | 10             | 8                         | 42                      | 20             | -              | -                     | 31.51                | 322         |
| R5179.100-060-10-10  | m1     | 60             | 60                        | 62             | 10             | 10                        | 30                      | 20             | -              | -                     | 31.51                | 266         |
| R5179.100-060-10-10T | m1     | 60             | 60                        | 62             | 10             | 10                        | 30                      | 20             | 5              | 2xM 5                 | 31.51                | 263         |
| R5179.100-060-10-12  | m1     | 60             | 60                        | 62             | 10             | 12                        | 30                      | 20             | 5              | 2xM 5                 | 31.51                | 258         |
| R5179.100-060-10-15  | m1     | 60             | 60                        | 62             | 10             | 15                        | 30                      | 20             | 5              | 2xM 5                 | 31.51                | 248         |
| R5179.100-062-06-10  | m1     | 62             | 62                        | 64             | 6              | 10                        | 40                      | 16             | -              | -                     | 19.10                | 231         |

STANDARD SPUR GEARS



| Order No.            | Module | No. of teeth z | Pitch dia. d <sub>1</sub> | d <sub>2</sub> | w <sub>1</sub> | d <sub>3</sub><br>tol. H7 | Hub dia. d <sub>4</sub> | l <sub>1</sub> | l <sub>2</sub> | Thread d <sub>5</sub> | Torque<br>Nm<br>max. | Weight<br>g |
|----------------------|--------|----------------|---------------------------|----------------|----------------|---------------------------|-------------------------|----------------|----------------|-----------------------|----------------------|-------------|
| R5179.100-062-10-10  | m 1    | 62             | 62                        | 64             | 10             | 10                        | 50                      | 20             | -              | -                     | 32.47                | 379         |
| R5179.100-064-06-10  | m 1    | 64             | 64                        | 66             | 6              | 10                        | 30                      | 16             | -              | -                     | 20.05                | 178         |
| R5179.100-064-06-10T | m 1    | 64             | 64                        | 66             | 6              | 10                        | 30                      | 16             | 5              | 2xM 5                 | 20.05                | 176         |
| R5179.100-064-06-12  | m 1    | 64             | 64                        | 66             | 6              | 12                        | 30                      | 16             | 5              | 2xM 5                 | 20.05                | 172         |
| R5179.100-064-10-10  | m 1    | 64             | 64                        | 66             | 10             | 10                        | 30                      | 20             | -              | -                     | 33.42                | 296         |
| R5179.100-064-10-10T | m 1    | 64             | 64                        | 66             | 10             | 10                        | 30                      | 20             | 5              | 2xM 5                 | 33.42                | 294         |
| R5179.100-064-10-12  | m 1    | 64             | 64                        | 66             | 10             | 12                        | 30                      | 20             | 5              | 2xM 5                 | 33.42                | 289         |
| R5179.100-064-10-15  | m 1    | 64             | 64                        | 66             | 10             | 15                        | 30                      | 20             | 5              | 2xM 5                 | 33.42                | 279         |
| R5179.100-065-06-10  | m 1    | 65             | 65                        | 67             | 6              | 10                        | 40                      | 16             | -              | -                     | 20.05                | 246         |
| R5179.100-065-10-10  | m 1    | 65             | 65                        | 67             | 10             | 10                        | 50                      | 20             | -              | -                     | 34.38                | 403         |
| R5179.100-066-06-10  | m 1    | 66             | 66                        | 68             | 6              | 10                        | 40                      | 16             | -              | -                     | 21.01                | 250         |
| R5179.100-066-10-10  | m 1    | 66             | 66                        | 68             | 10             | 10                        | 50                      | 20             | -              | -                     | 35.33                | 411         |
| R5179.100-068-06-10  | m 1    | 68             | 68                        | 70             | 6              | 10                        | 40                      | 16             | -              | -                     | 21.96                | 260         |
| R5179.100-068-10-10  | m 1    | 68             | 68                        | 70             | 10             | 10                        | 50                      | 20             | -              | -                     | 36.29                | 427         |
| R5179.100-070-06-10  | m 1    | 70             | 70                        | 72             | 6              | 10                        | 40                      | 16             | -              | -                     | 21.96                | 270         |
| R5179.100-070-10-10  | m 1    | 70             | 70                        | 72             | 10             | 10                        | 50                      | 20             | -              | -                     | 38.20                | 443         |
| R5179.100-070-10-10D | m 1    | 70             | 70                        | 72             | 10             | 10                        | 55                      | 20             | -              | -                     | 38.20                | 443         |
| R5179.100-072-06-10  | m 1    | 72             | 72                        | 74             | 6              | 10                        | 30                      | 16             | -              | -                     | 22.92                | 218         |
| R5179.100-072-06-10T | m 1    | 72             | 72                        | 74             | 6              | 10                        | 30                      | 16             | 5              | 2xM 5                 | 22.92                | 216         |
| R5179.100-072-06-12T | m 1    | 72             | 72                        | 74             | 6              | 12                        | 30                      | 16             | 5              | 2xM 5                 | 22.92                | 212         |
| R5179.100-072-10-10  | m 1    | 72             | 72                        | 74             | 10             | 10                        | 30                      | 20             | -              | -                     | 39.15                | 363         |
| R5179.100-072-10-10T | m 1    | 72             | 72                        | 74             | 10             | 10                        | 30                      | 20             | 5              | 2xM 5                 | 39.15                | 361         |
| R5179.100-072-10-12T | m 1    | 72             | 72                        | 74             | 10             | 12                        | 30                      | 20             | 5              | 2xM 5                 | 39.15                | 356         |
| R5179.100-072-10-15T | m 1    | 72             | 72                        | 74             | 10             | 15                        | 30                      | 20             | 5              | 2xM 5                 | 39.15                | 346         |
| R5179.100-075-06-10  | m 1    | 75             | 75                        | 77             | 6              | 10                        | 40                      | 16             | -              | -                     | 23.87                | 297         |
| R5179.100-075-10-10  | m 1    | 75             | 75                        | 77             | 10             | 10                        | 50                      | 20             | -              | -                     | 41.06                | 489         |
| R5179.100-080-06-10  | m 1    | 80             | 80                        | 82             | 6              | 10                        | 30                      | 16             | -              | -                     | 25.78                | 283         |
| R5179.100-080-06-10T | m 1    | 80             | 80                        | 82             | 6              | 10                        | 30                      | 16             | 5              | 2xM 5                 | 25.78                | 280         |
| R5179.100-080-06-12T | m 1    | 80             | 80                        | 82             | 6              | 12                        | 30                      | 16             | 5              | 2xM 5                 | 25.78                | 276         |
| R5179.100-080-06-15T | m 1    | 80             | 80                        | 82             | 6              | 15                        | 30                      | 16             | 5              | 2xM 5                 | 25.78                | 269         |
| R5179.100-080-10-10D | m 1    | 80             | 80                        | 82             | 10             | 10                        | 60                      | 20             | -              | -                     | 43.93                | 604         |
| R5179.100-080-10-10  | m 1    | 80             | 80                        | 82             | 10             | 10                        | 32                      | 20             | -              | -                     | 17.19                | 446         |
| R5179.100-080-10-10T | m 1    | 80             | 80                        | 82             | 10             | 10                        | 32                      | 20             | 5              | 2xM 5                 | 17.19                | 443         |
| R5179.100-080-10-12T | m 1    | 80             | 80                        | 82             | 10             | 12                        | 32                      | 20             | 5              | 2xM 5                 | 17.19                | 438         |
| R5179.100-080-10-15T | m 1    | 80             | 80                        | 82             | 10             | 15                        | 32                      | 20             | 5              | 2xM 5                 | 17.19                | 428         |
| R5179.100-080-10-16T | m 1    | 80             | 80                        | 82             | 10             | 16                        | 32                      | 20             | 5              | 2xM 5                 | 17.19                | 425         |
| R5179.100-084-06-10  | m 1    | 84             | 84                        | 86             | 6              | 10                        | 50                      | 16             | -              | -                     | 27.69                | 406         |
| R5179.100-084-10-10  | m 1    | 84             | 84                        | 86             | 10             | 10                        | 50                      | 20             | -              | -                     | 46.79                | 577         |
| R5179.100-085-06-10  | m 1    | 85             | 85                        | 87             | 6              | 10                        | 50                      | 16             | -              | -                     | 27.69                | 412         |
| R5179.100-085-10-10  | m 1    | 85             | 85                        | 87             | 10             | 10                        | 50                      | 20             | -              | -                     | 46.79                | 588         |
| R5179.100-090-06-10  | m 1    | 90             | 90                        | 92             | 6              | 10                        | 50                      | 16             | -              | -                     | 29.60                | 444         |
| R5179.100-090-10-10  | m 1    | 90             | 90                        | 92             | 10             | 10                        | 50                      | 20             | -              | -                     | 50.61                | 642         |
| R5179.100-090-10-10D | m 1    | 90             | 90                        | 92             | 10             | 10                        | 65                      | 20             | -              | -                     | 50.61                | 747         |
| R5179.100-096-06-10  | m 1    | 96             | 96                        | 98             | 6              | 10                        | 50                      | 16             | -              | -                     | 32.47                | 486         |
| R5179.100-096-10-10  | m 1    | 96             | 96                        | 98             | 10             | 10                        | 50                      | 20             | -              | -                     | 54.43                | 710         |
| R5179.100-100-06-10  | m 1    | 100            | 100                       | 102            | 6              | 10                        | 30                      | 16             | -              | -                     | 34.38                | 416         |
| R5179.100-100-06-10T | m 1    | 100            | 100                       | 102            | 6              | 10                        | 30                      | 16             | 5              | 2xM 5                 | 34.38                | 414         |
| R5179.100-100-06-12T | m 1    | 100            | 100                       | 102            | 6              | 12                        | 30                      | 16             | 5              | 2xM 5                 | 34.38                | 410         |
| R5179.100-100-06-15T | m 1    | 100            | 100                       | 102            | 6              | 15                        | 30                      | 16             | 5              | 2xM 5                 | 34.38                | 402         |
| R5179.100-100-10-10D | m 1    | 100            | 100                       | 102            | 10             | 10                        | 70                      | 20             | -              | -                     | 57.30                | 905         |
| R5179.100-100-10-12  | m 1    | 100            | 100                       | 102            | 10             | 12                        | 36                      | 20             | -              | -                     | 57.30                | 680         |
| R5179.100-100-10-12T | m 1    | 100            | 100                       | 102            | 10             | 12                        | 36                      | 20             | 5              | 2xM 5                 | 57.30                | 676         |
| R5179.100-100-10-15T | m 1    | 100            | 100                       | 102            | 10             | 15                        | 36                      | 20             | 5              | 2xM 5                 | 57.30                | 667         |
| R5179.100-100-10-16T | m 1    | 100            | 100                       | 102            | 10             | 16                        | 36                      | 20             | 5              | 2xM 5                 | 57.30                | 663         |
| R5179.100-105-06-10  | m 1    | 105            | 105                       | 107            | 6              | 10                        | 50                      | 16             | -              | -                     | 36.29                | 553         |
| R5179.100-105-10-12  | m 1    | 105            | 105                       | 107            | 10             | 12                        | 50                      | 20             | -              | -                     | 60.16                | 817         |
| R5179.100-110-06-10  | m 1    | 110            | 110                       | 112            | 6              | 10                        | 50                      | 16             | -              | -                     | 38.20                | 592         |
| R5179.100-110-10-12  | m 1    | 110            | 110                       | 112            | 10             | 12                        | 50                      | 20             | -              | -                     | 63.03                | 883         |
| R5179.100-115-06-10  | m 1    | 115            | 115                       | 117            | 6              | 10                        | 50                      | 16             | -              | -                     | 40.11                | 634         |
| R5179.100-115-10-12  | m 1    | 115            | 115                       | 117            | 10             | 12                        | 50                      | 20             | -              | -                     | 66.85                | 952         |
| R5179.100-120-06-10  | m 1    | 120            | 120                       | 122            | 6              | 10                        | 30                      | 16             | -              | -                     | 42.02                | 579         |
| R5179.100-120-06-10T | m 1    | 120            | 120                       | 122            | 6              | 10                        | 30                      | 16             | 5              | 2xM 5                 | 42.02                | 577         |
| R5179.100-120-06-12T | m 1    | 120            | 120                       | 122            | 6              | 12                        | 30                      | 16             | 5              | 2xM 5                 | 42.02                | 572         |
| R5179.100-120-06-15T | m 1    | 120            | 120                       | 122            | 6              | 15                        | 30                      | 16             | 5              | 2xM 5                 | 42.02                | 565         |
| R5179.100-120-10-10D | m 1    | 120            | 120                       | 122            | 10             | 10                        | 90                      | 20             | -              | -                     | 69.71                | 1374        |
| R5179.100-120-10-12  | m 1    | 120            | 120                       | 122            | 10             | 12                        | 36                      | 20             | -              | -                     | 69.71                | 951         |
| R5179.100-120-10-12T | m 1    | 120            | 120                       | 122            | 10             | 12                        | 36                      | 20             | 5              | 2xM 5                 | 69.71                | 948         |



# Spur Gears - Module 1

carbon steel - 14-120 teeth



## Standard Spur Gears

| Order No.                   | Module | No. of teeth z | Pitch dia. d <sub>1</sub> | d <sub>2</sub> | w <sub>1</sub> | d <sub>3</sub><br>tol. H7 | Hub dia. d <sub>4</sub> | l <sub>1</sub> | l <sub>2</sub> | Thread d <sub>5</sub> | Torque<br>Nm<br>max. | Weight<br>g |
|-----------------------------|--------|----------------|---------------------------|----------------|----------------|---------------------------|-------------------------|----------------|----------------|-----------------------|----------------------|-------------|
| <b>R5179.100-120-10-15T</b> | m 1    | 120            | 120                       | 122            | 10             | 15                        | 36                      | 20             | 5              | 2xM 5                 | 69.71                | 938         |
| <b>R5179.100-120-10-16T</b> | m 1    | 120            | 120                       | 122            | 10             | 16                        | 36                      | 20             | 5              | 2xM 5                 | 69.71                | 935         |
| <b>R5179.100-120-10-18T</b> | m 1    | 120            | 120                       | 122            | 10             | 18                        | 36                      | 20             | 5              | 2xM 5                 | 69.71                | 926         |